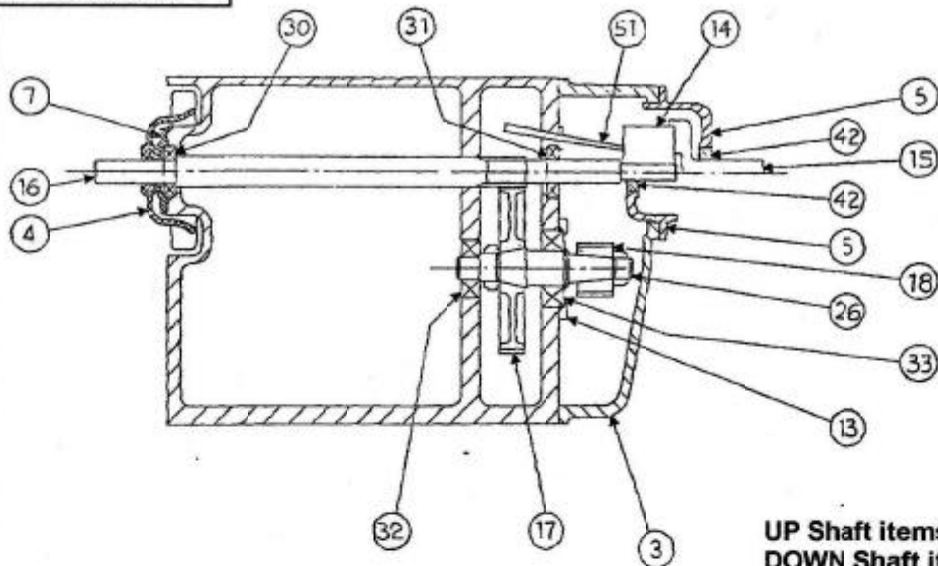
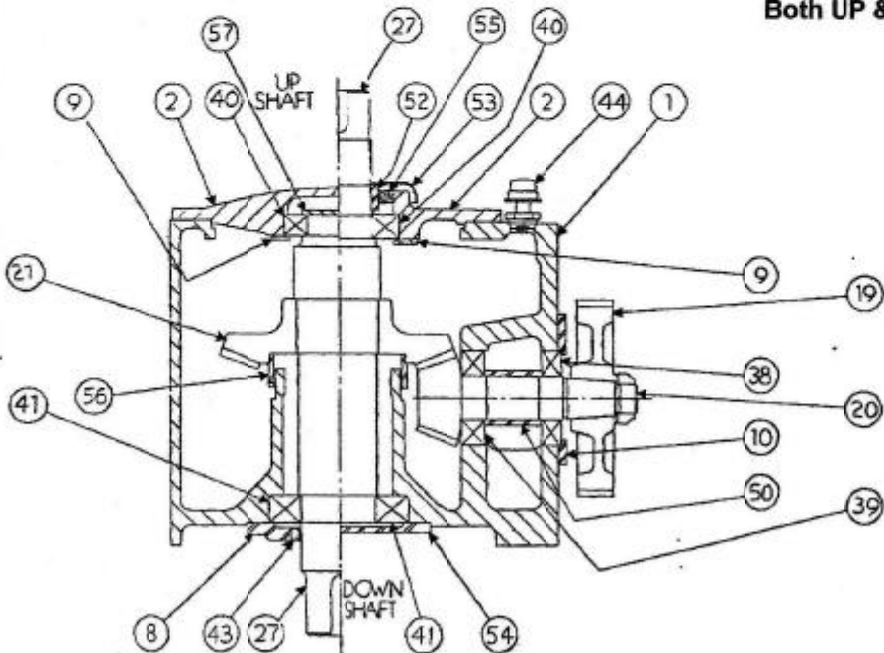


# Model 3AP



UP Shaft items labeled "A"  
 DOWN Shaft items labeled "B"  
 Both UP & DOWN Shaft No label



Ref. No.	Part Number	Description
1	503031	Housing
2A	315405	Bearing Cage
2B	312623	Bearing Cage
3	312647	Change Gear Cover
4	312669	Fan
5	219652	Cover
7	219678	H.S. Retainer
8B	219687	L.S. Retainer
9A	156292	Keeper Plate
9B	140390	Keeper Plate
10	232790	Keeper Plate
13	218368	Keeper Plate
14	951300	Over Running Clutch
15	219911	Aux. H.S. Shaft Ext.
16	219721	Helical Pinion Shaft
17	265224	Helical Gear
18	Ratio Gears	Helical Pinion
19	Ratio Gears	Helical Gear
20, 21	747670	Bevel Gear & Pinion Set
26	224022	Counter Shaft
27A	315406	L.S. Shaft (UP)
27B	313212	L.S. Shaft (DOWN)
30	920205	Bearing
31	919000	Bearing
32	920549	Bearing
33	919292	Bearing
38	919061	Bearing
39	920547	Bearing
40A	919279	Bearing
40B	919036	Bearing
41	920509	Bearing
42	912574	Oil Seal
43B	912740	Oil Seal
44	950027	Air Vent
50	139181	Bearing Spacer
51	227759	Oil Trough
52A	156291	Collar
53A	156293	Umbrella
54A	156294	End Cover
55A	912556	Oil Seal
56	218124	Oil Baffle
57B	140231	Keeper Plate
58	765756	Shim Pack

## Penn Machine Company / Rail Trans Division

310 Innovation Drive  
 Blairsville, PA 15717

Ph 724-459-0302 Fax 724-459-0305  
 Emergency & After Hours 724-309-4185

## Parts Guide For Air Preheater Model 3AP

Saved as ABB-3AP layout.doc  
 DM 5-07-02

511337